

Vintage LED Café Lights 6 Acrylic Bulbs, 12ft

enbrighten®

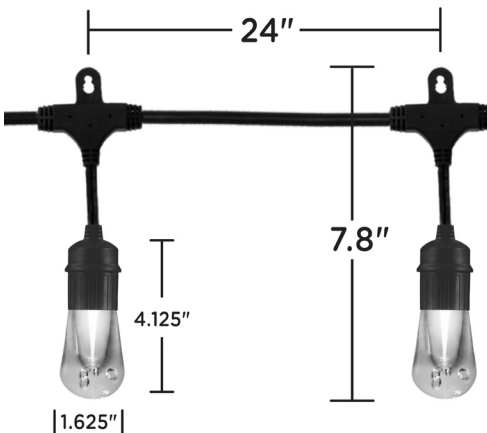


NEVER REPLACE A BULB AGAIN

WEATHER PROOF
Commercial grade and UL-rated for permanent outdoor installation

IMPACT RESISTANT
Durable acrylic bulbs won't break if dropped, stepped on, or in severe weather.

120V | LED
1 WATT PER LIGHT
2200K WARM WHITE



Specifications

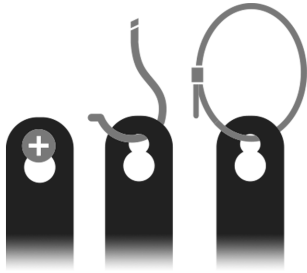
Length of fixture: 12' **Nominal wattage:** 6
Voltage: 120 **Hertz:** 60 **CCT:** 2200K
Max linkable: 750ft **Lifetime:** 50,000 hours
Warranty: 3 year limited warranty

Design Features

- **Lifetime LED** – Enbrighten café lights are designed with premium long-life, cool to the touch and energy-efficient LEDs, which means no bulbs to replace
- **Durability with Style** – These 6 commercial grade, impact resistant UL-listed acrylic Edison-style bulbs won't break if dropped, stepped on or blown around in the wind – fully designed for permanent installation and to withstand year-round exposure to the elements
- **Installation Made Simple** – Easy to install with flexible mounting options - mount on a flat surface or hang from above (mounting hardware not included)
- **Effortless Connection** – Linkable up to 750 feet, each strand of Cafe Lights has end-to-end connections, meaning you can link multiple sets to achieve the perfect length for any installation, giving you true customizable flexibility for your setup

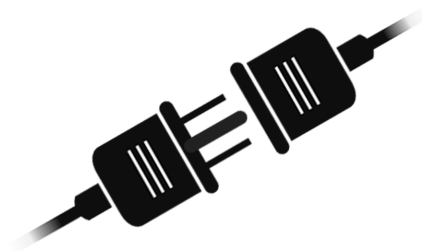
Installation Recommendations

- These 6 impact-resistant bulbs on a 12-foot string exude a soft, amber glow, creating an instantly warm atmosphere in any location. This specialty lighting recreates a gorgeous early 20th century look without the complexities of antique hardware, making it ideal for the historical design enthusiast with a modern edge. Featuring commercial grade construction with premium design to create a perfect ambiance in any indoor/outdoor space. Perfect for patios, pergolas, gazebos, home accents, parties, and camping.



EASY INSTALLATION AND FLEXIBLE MOUNTING OPTIONS

Mounting on a flat surface
or hang from above.
(Mounting hardware not included)



CONNECT MULTIPLE STRINGS

Heavy-duty, grounded cord
plugs into any standard outlet. Link
multiple Café Lights™ up to 750 feet.

Certifications & Compliances



Compliances, specifications and availability
are subject to change without notice.

Distributed by Jasco Products Company LLC
10 E. Memorial Rd., Oklahoma City, OK

Questions? Contact our U.S.-based Consumer Care at
1-800-654-8483 between 7AM-8PM, M-F, Central Time.

©Jasco 2021